

Windjammer Pound.O.Matic 2500S



High capacity industrial pounder, for flattening steaks in a single stroke both fresh and tempered portions down to 3 mm.

Benefits

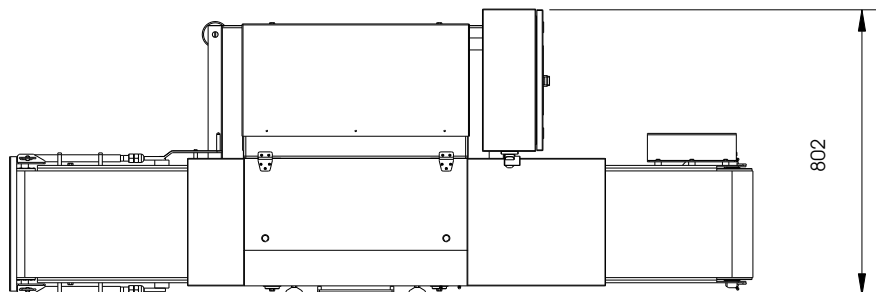
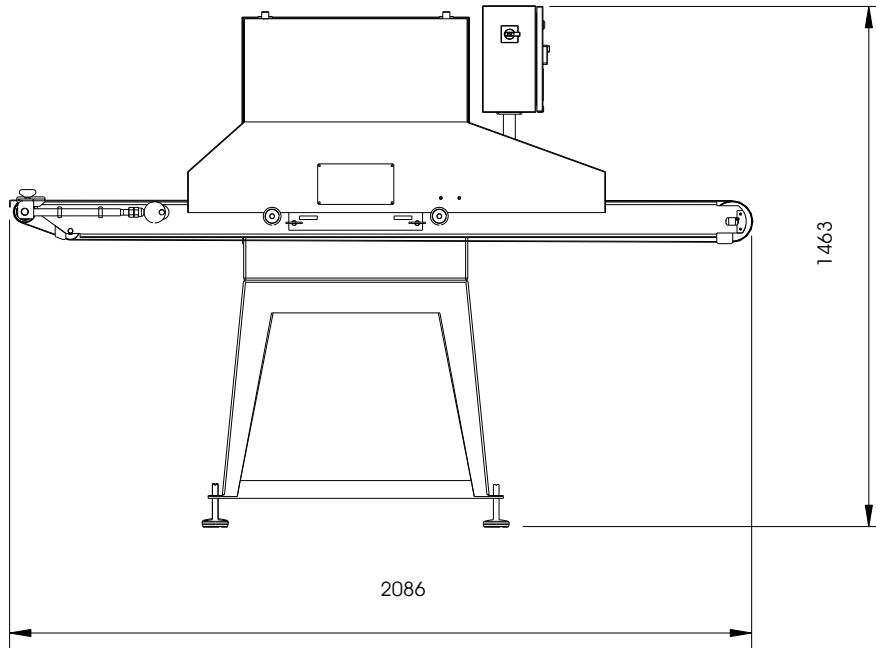
- Uniform thickness
- No tear
- Tenderizes
- Fast setup
- No juice loss
- Pounds in one stroke
- Easy thickness adjustment
- Fast cooking time
- Easy to clean

Windjammer Oy

Sorsantie 12
10960 Hanko
Finland

Phone: +358 19 2485881
Fax: +358 19 2485880
E:mail: info@windjammer.fi
www.windjammer.fi

Windjammer Pound.O.Matic 2500S



Pound.O.Matic 2500S

Technical specifications:

Capacity: 5000 + steaks/hour

Pounding force: 2000 kg

Pressing stroke: 50 mm

Thickness adjustment: 1-20 mm

Power supply: 3 phase 2.5 kW

Construction: Stainless steel

Operation: Automatic

Control: PLC

Conveyor width: 300 mm

Dimensions: L 2086 x W 802 x H 1463 mm

Weight: 210 kg